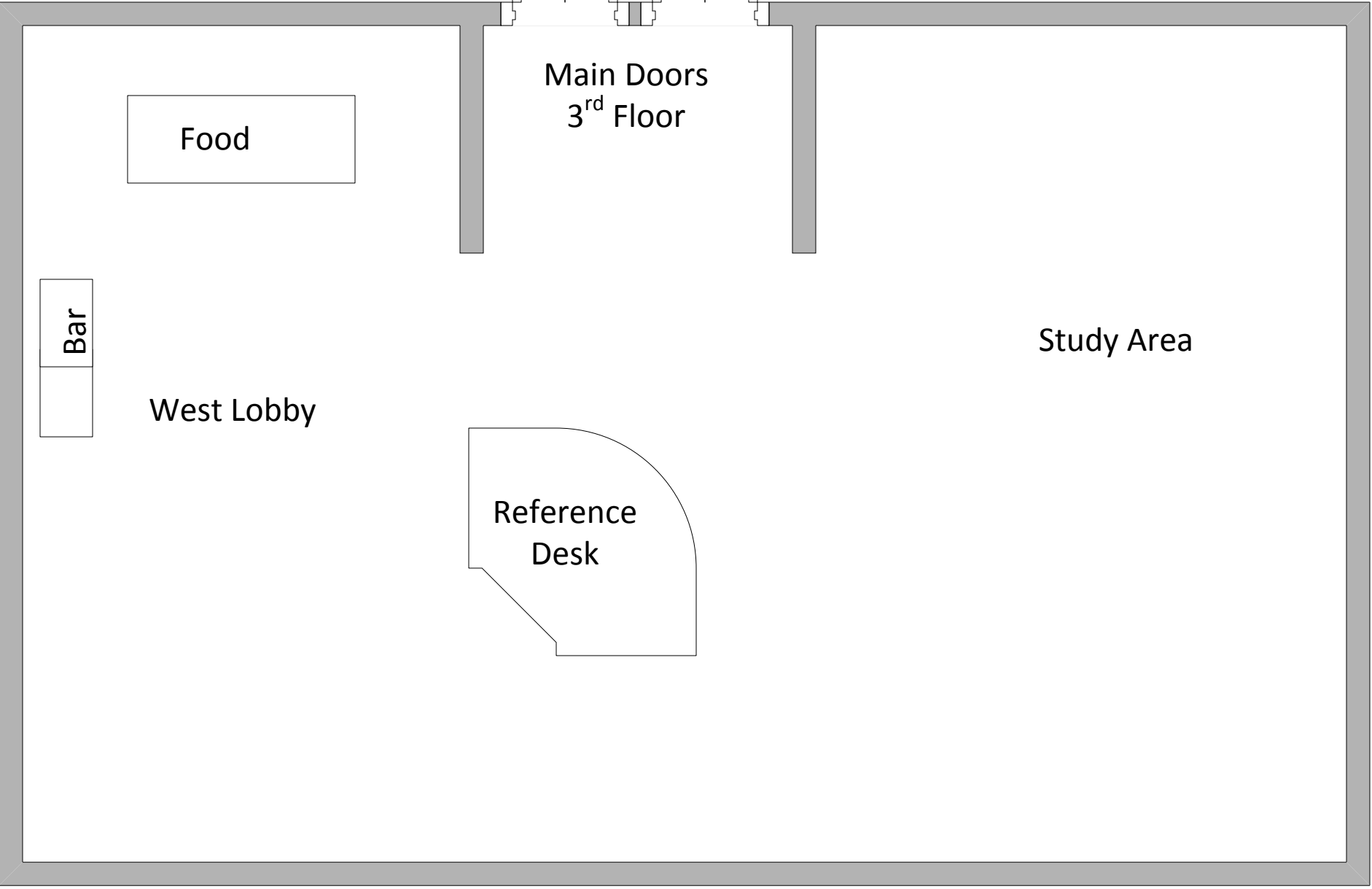
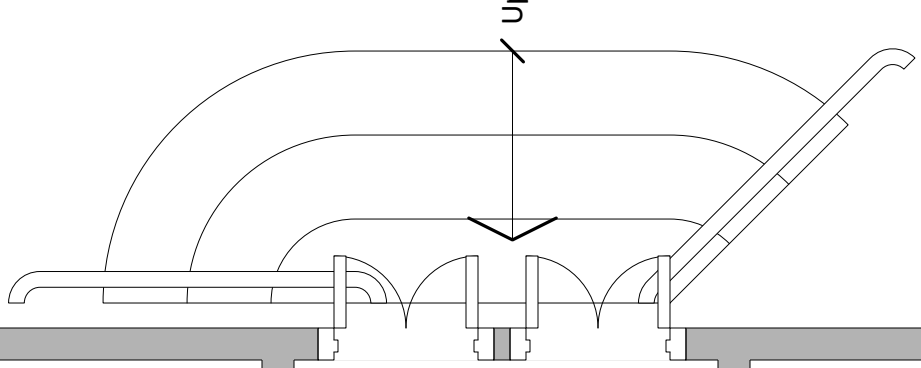




Watson Library



Food

Main Doors
3rd Floor

Study Area

Bar

West Lobby

Reference
Desk